

77990T-4	Lever Handles
77990T-8/8MU	Oyl Handles
77990T-9	Industrial Handles
77963T-8A	Rocker Handle

BEFORE YOU BEGIN

All information is based on the latest product information available at the time of publication. Kohler Co. reserves the right to make changes in product characteristics, packaging, or availability at any time without notice.

Please leave these instructions for the consumer. They contain important information.

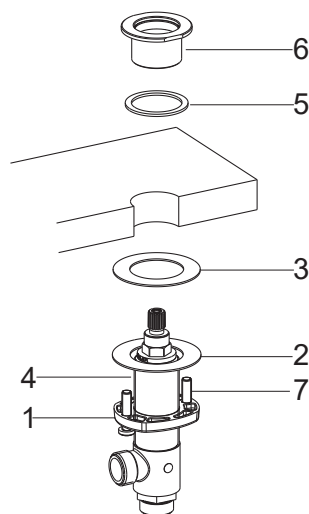
NOTES:

1. Flush the water supply pipes thoroughly to remove debris.
2. Inspect the supply tubing for damage and leakage. Replace and maintain as necessary.
3. Observe local plumbing codes.
4. Shut off the water supplies to the fitting.
5. 77990T-4/8/9 should match with lavatory faucet spout 77965T, 77966T, 23887T, 77967T, 77968T & 77969T and bath faucet spout 77985T, 77986T & 77987T.
6. 77990T-8MU should match with lavatory faucet spout 77967T-MU, 77968T-MU & 77969T-MU and bath faucet spout 77985T-BL, 77986T-BL & 77987T-BL.
7. 77963T-8A should match with lavatory faucet spout 77965T, 77966T, 23887T, 77967T, 77968T & 77969T.
8. For detailed information (rough-in dimensions, service parts and cleaning instructions, etc.), please refer to installation instructions 1287329-2A.

HANDLE OPERATION

For 77990T-4, right handle open with turning clockwise, left handle open with turning counter-clockwise.
 For 77990T-8/8MU/9, left handle open with turning clockwise, right handle open with turning counter-clockwise.
 For 77963T-8A, When facing front of the faucet, gently push the handle forward to open the faucet, the direction of the red dot is for hot water and the blue dot is for cold water.

INSTALLATION

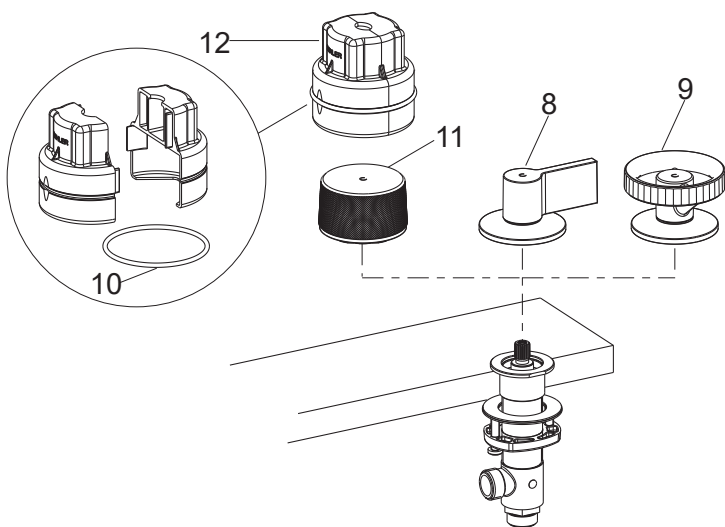


How to Install the Handle Kit (77990T)

Put the threaded rings(1), steel washers(2) and washers(3) onto the side bodies(4).

Insert the side bodies into the mounting holes from underside. **NOTE:** The side body with red mark should be installed on the left. Put the washers(5) into the groove of the nuts(6). Thread the nuts onto the side bodies.

Adjust the outlet of side bodies to connect hoses easily. Secure the threaded rings by tightening screws(7).



Ensure the valves and handle kits are in the off position.

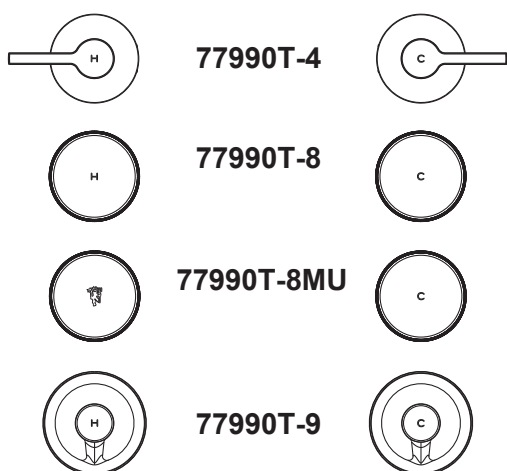
For 77990T-4/9

Screw the handle kits(8, 9) onto the nuts(6). **NOTE:** The handle kit with “H” should be installed on the left.

For 77990T-8/8MU

Screw the handle kit(11) onto the nut(6) with handle wrench(12).

Uninstall the handle wrench. Remove the O-ring(10), separate it into two parts as shown. **NOTE:** The handle kit with “H” should be installed on the left.



The figure shown is the correct position of the handles in the closed position.

How to Install the Handle Kit (77963T-8A)

Install the washer(14) into the groove of the handle kit(13). Insert the handle kit with washer to the mounting hole. Adjust the handle. Make sure the handle with red dot is on the left side and blue dot on the right side.

From underside, slide the washer(16), washer(17) and threaded ring(18) to the body(15). Screw the threaded ring. Tighten the screws(19) to secure the handle kit.

Attach the two hoses(20) to water supplies. Make sure the hose with red label should be connected to hot water, the hose with blue label should be connected to cold water. Connect another hose(21) and tee supply. Install the plug(23) with washer(22) to other end of tee supply.

